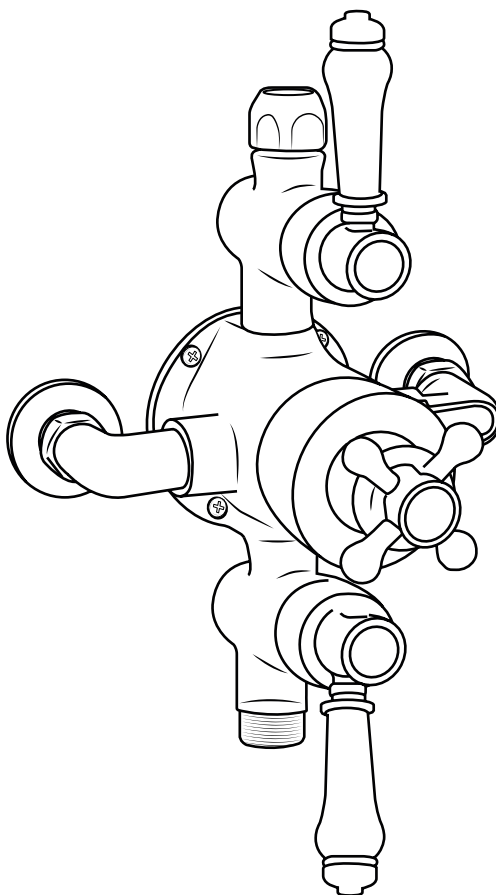



# Milano

Triple Exposed Valve



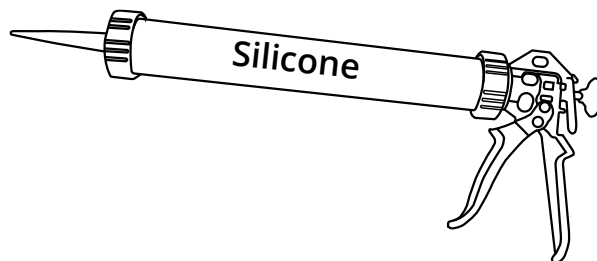
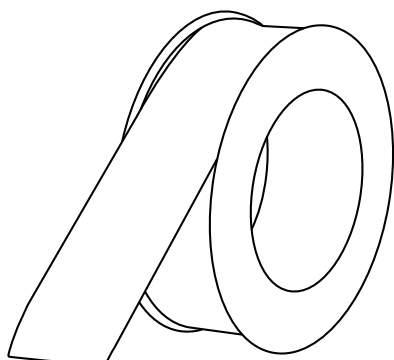
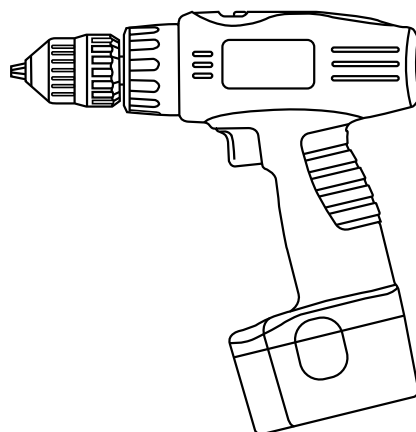
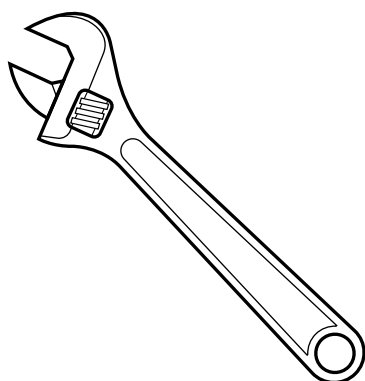
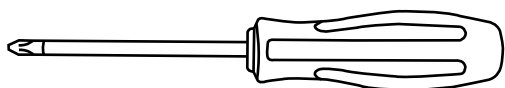
 Style may vary

Installation Guide

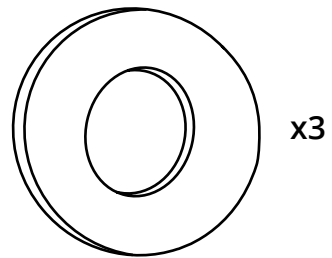
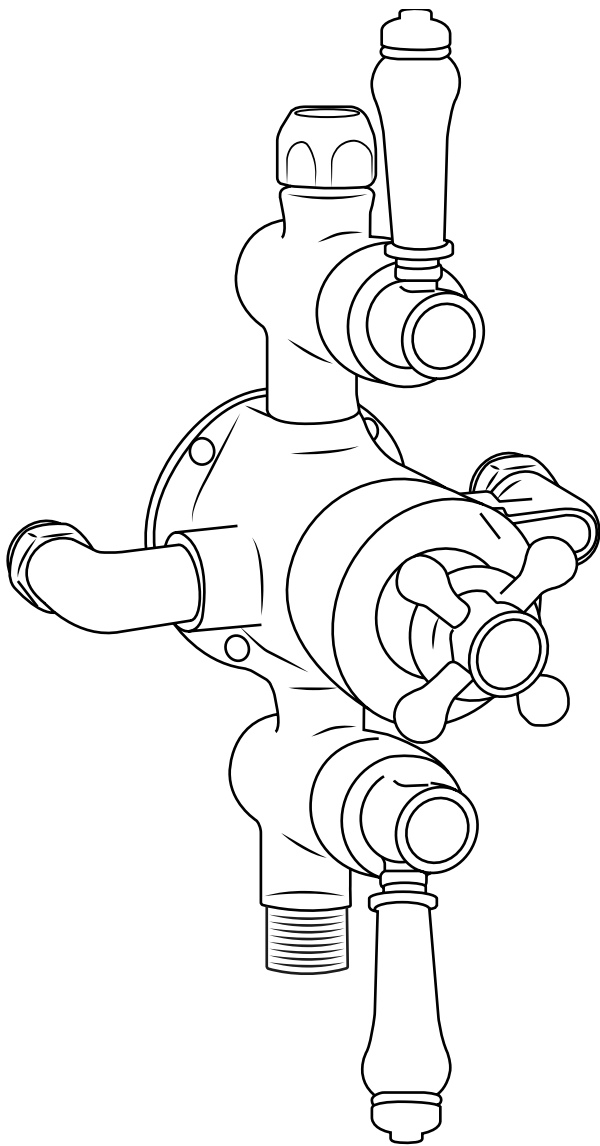
# Installation

---

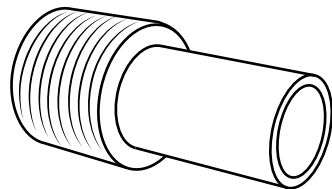
## *Tools required for installing:*



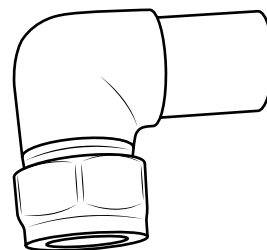
**Parts included:**



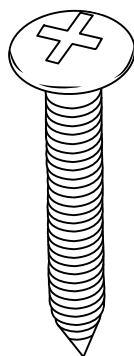
x3



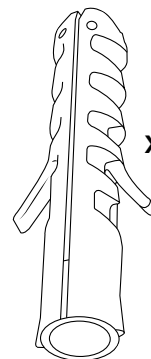
x3



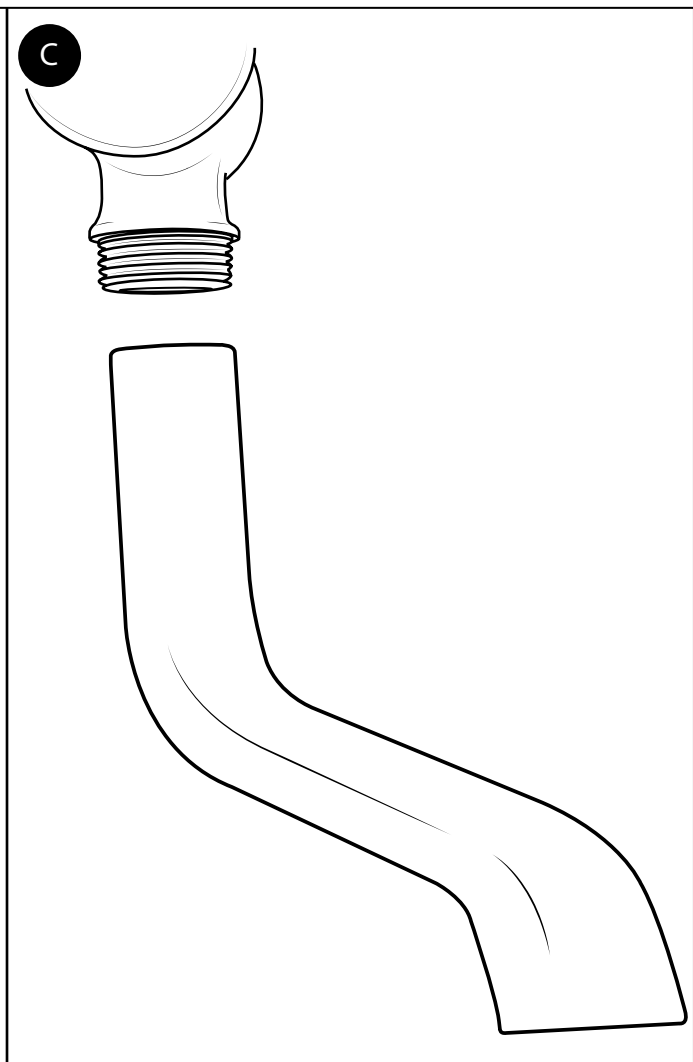
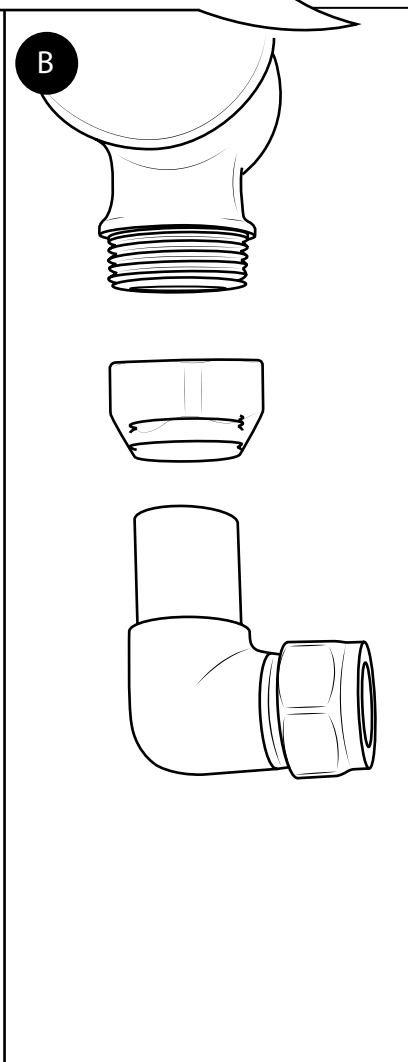
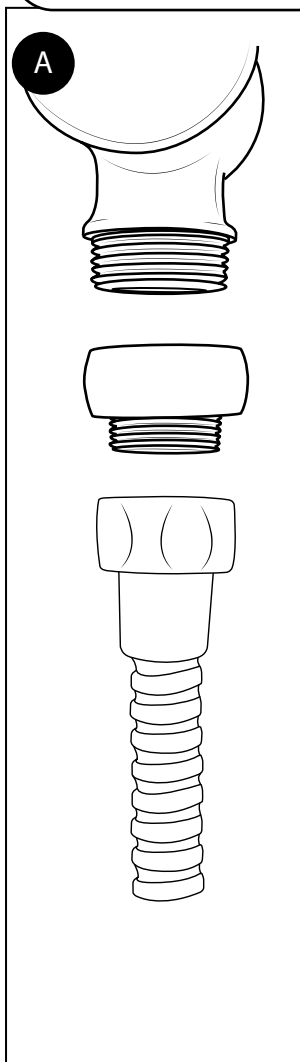
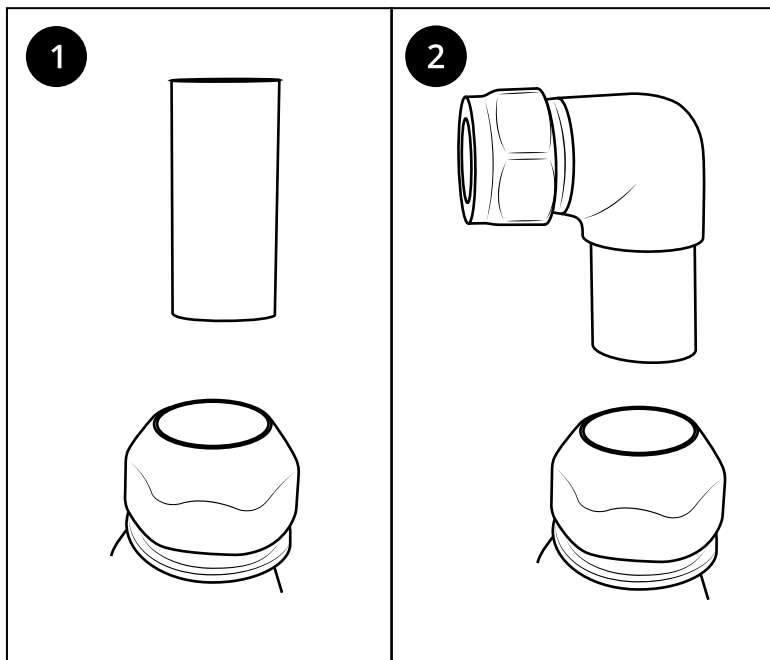
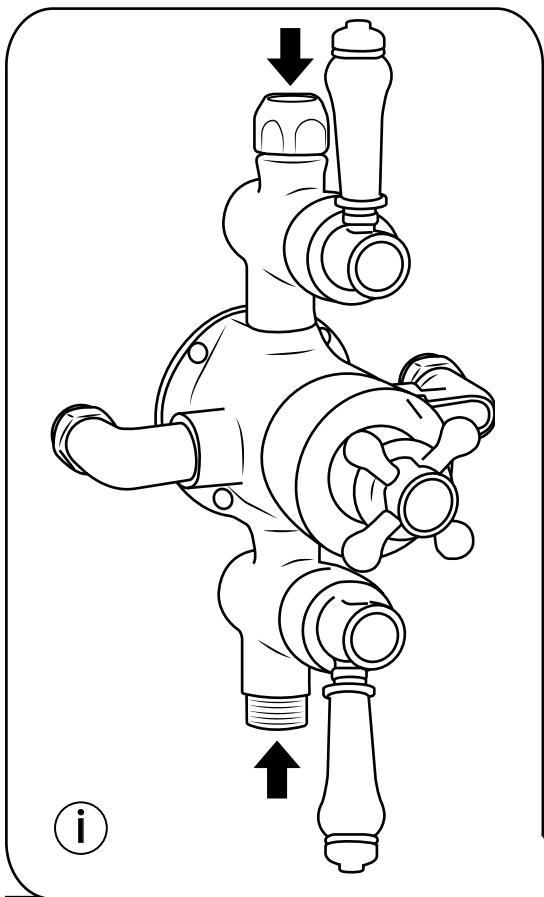
x1



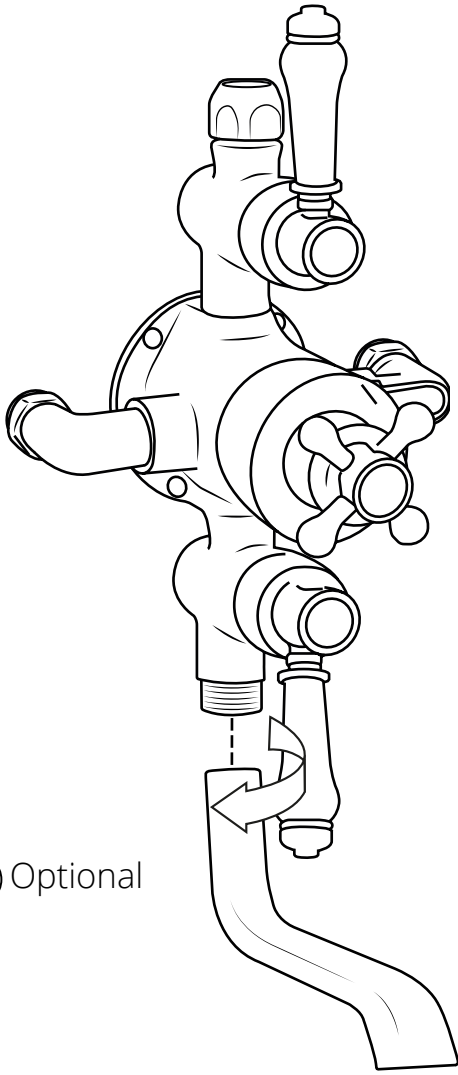
x4



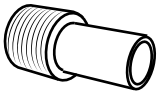
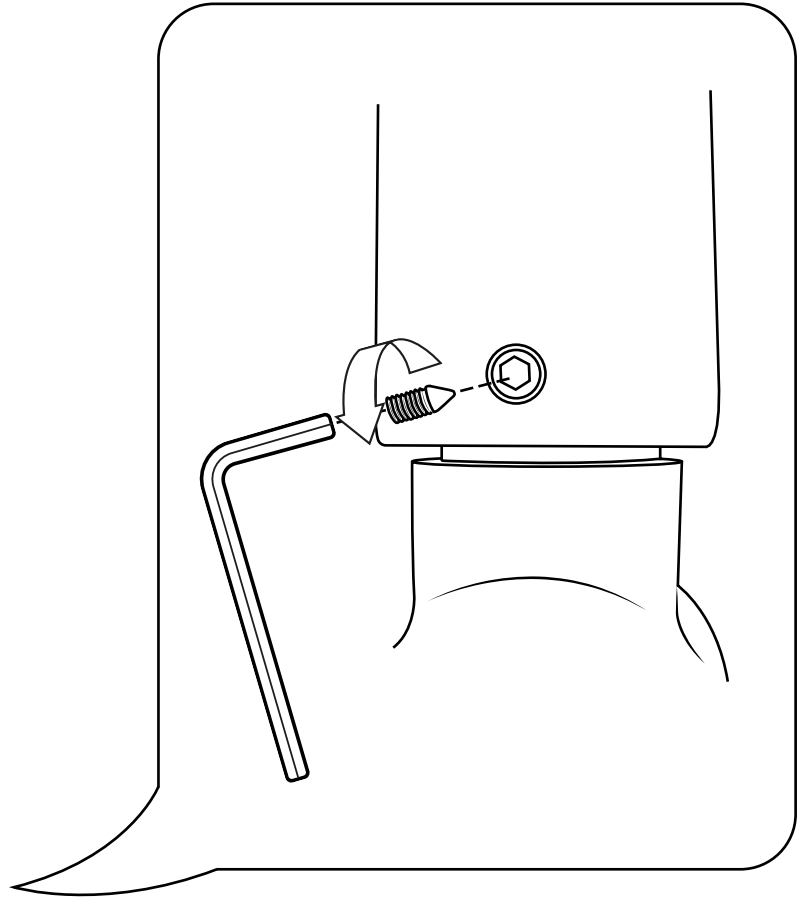
x4



1

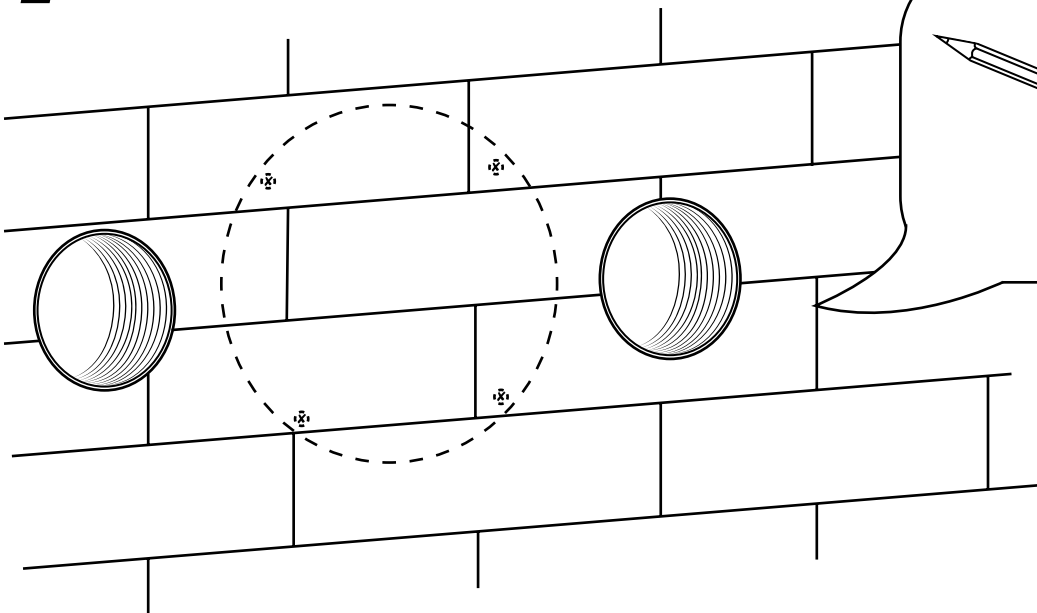


**i** Optional

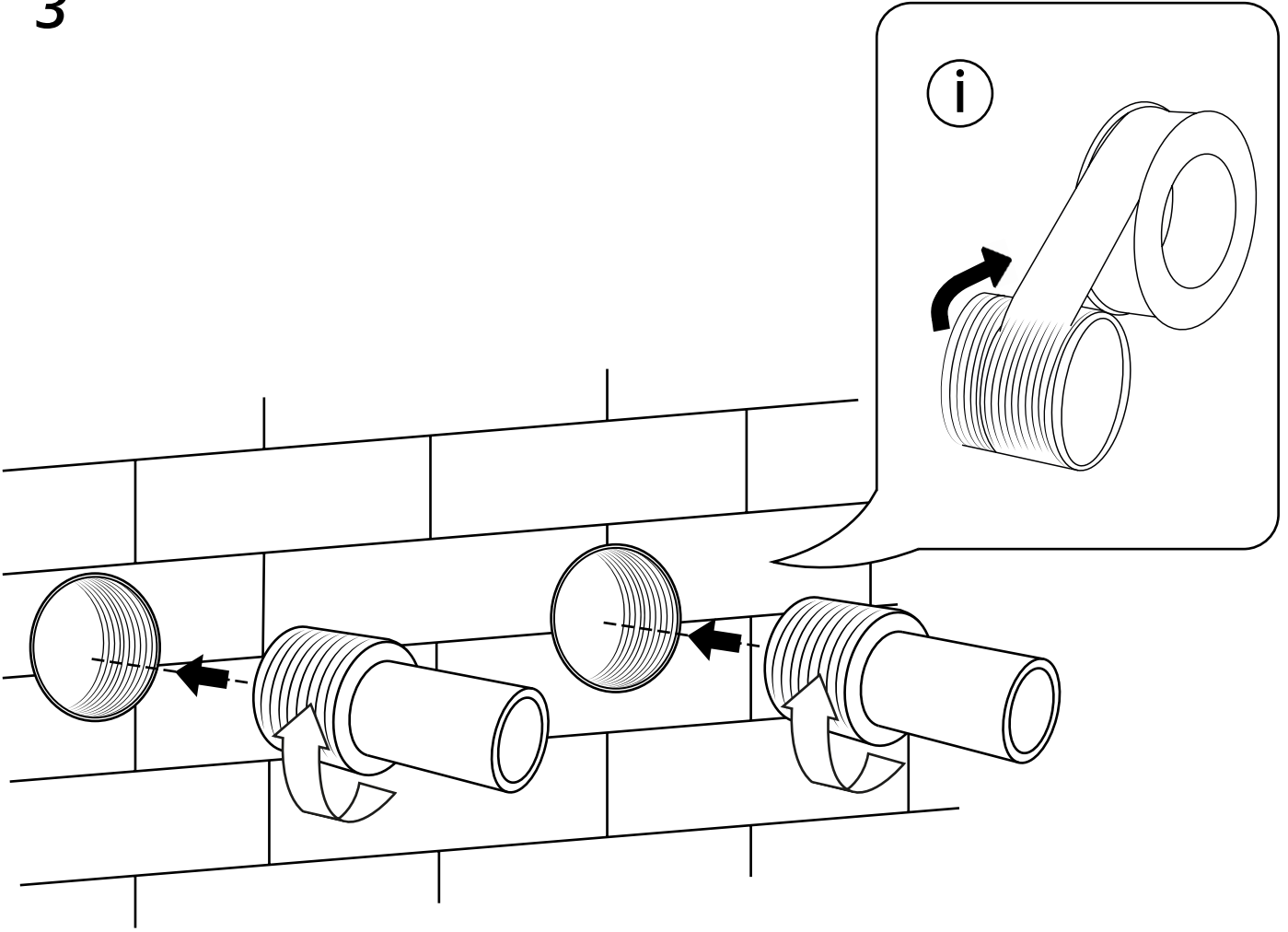


*If not using stem adapters, skip to step 4*

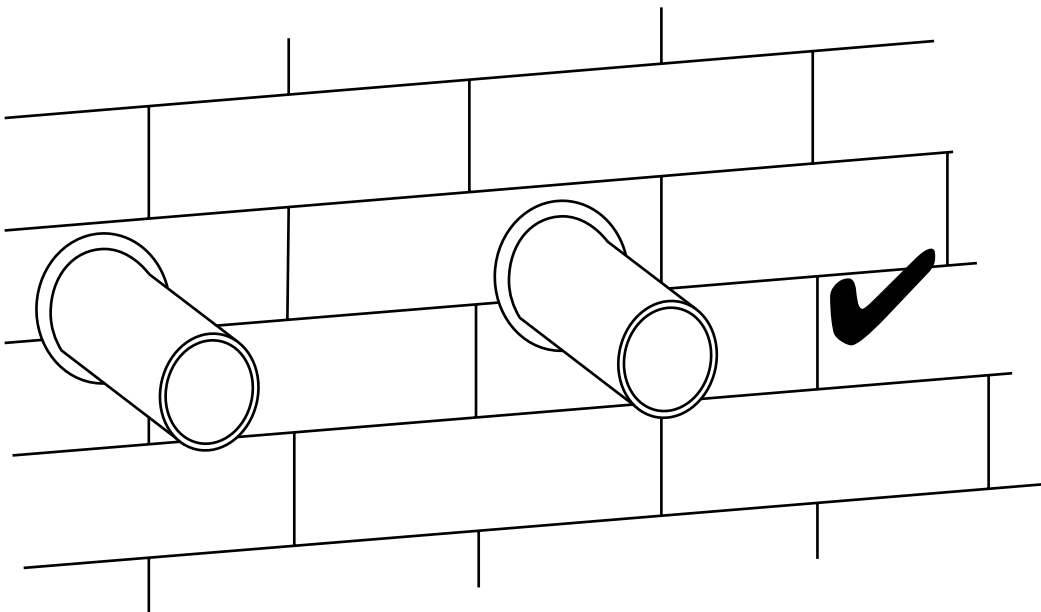
2



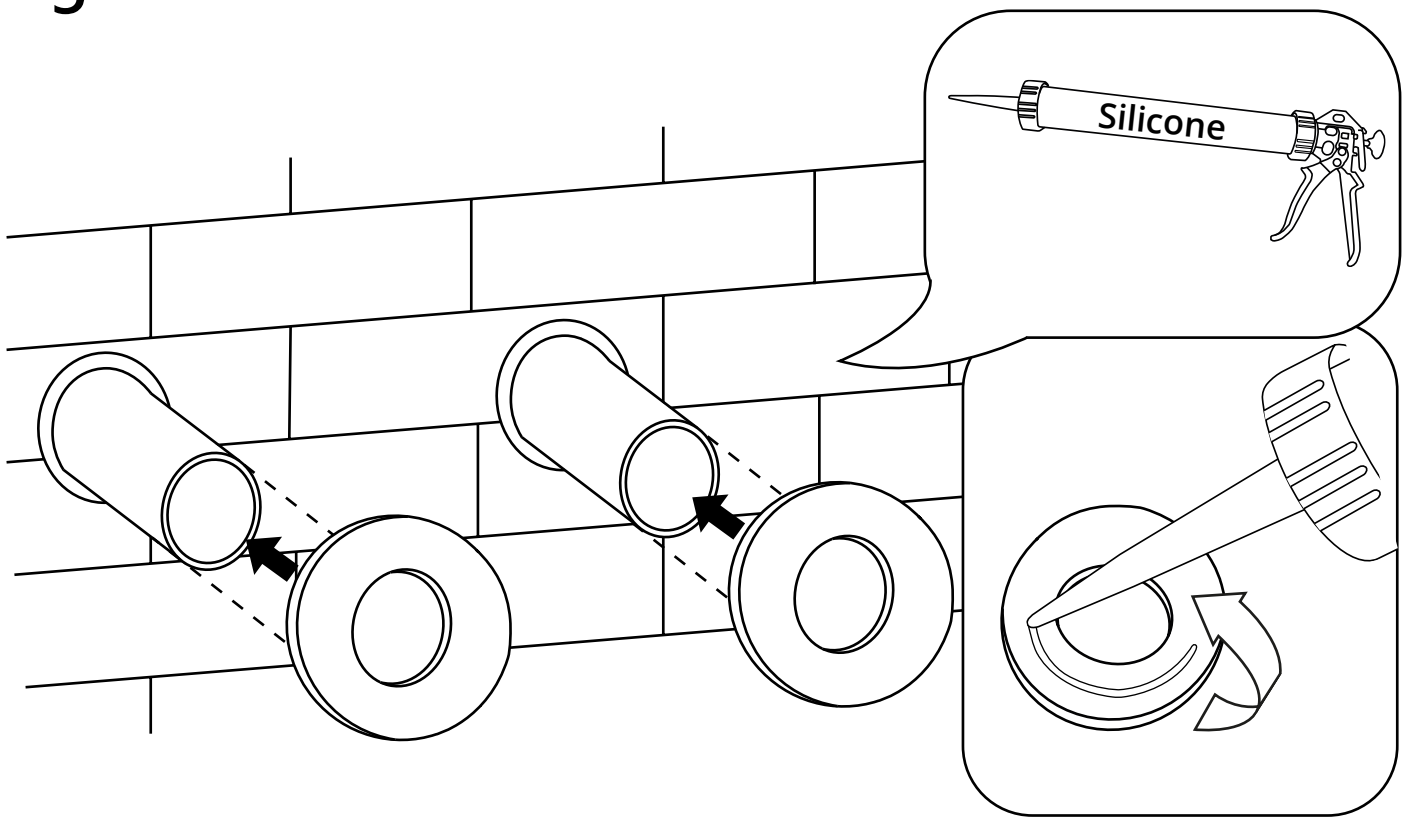
3



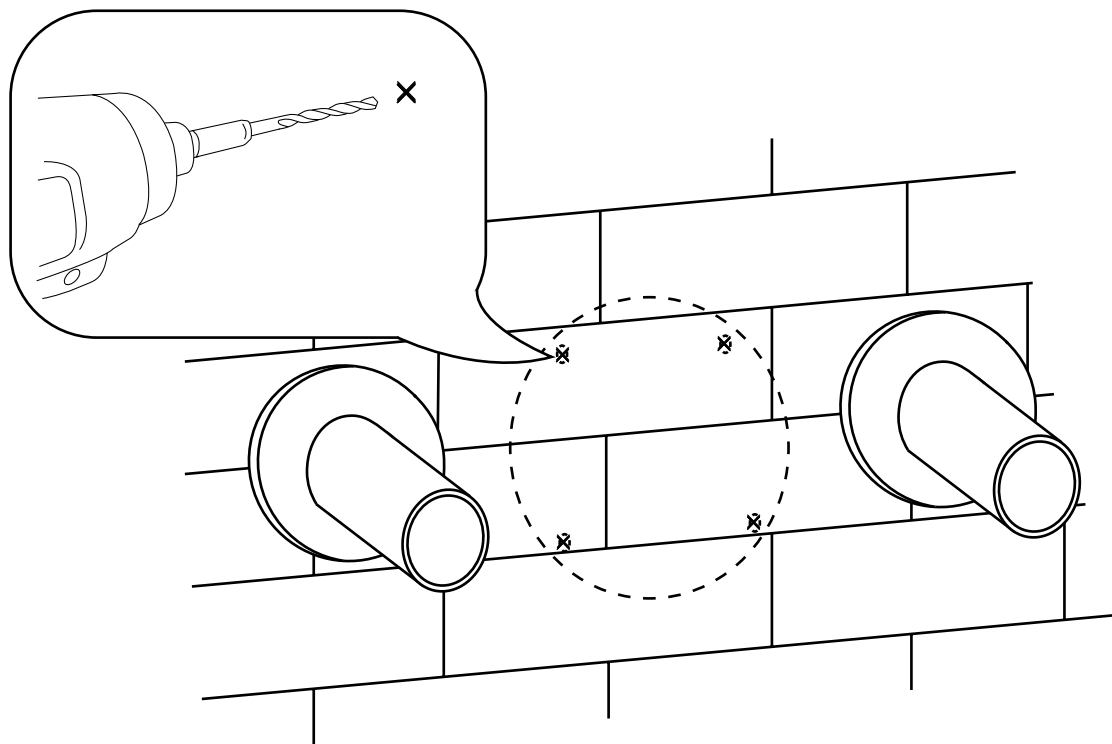
4



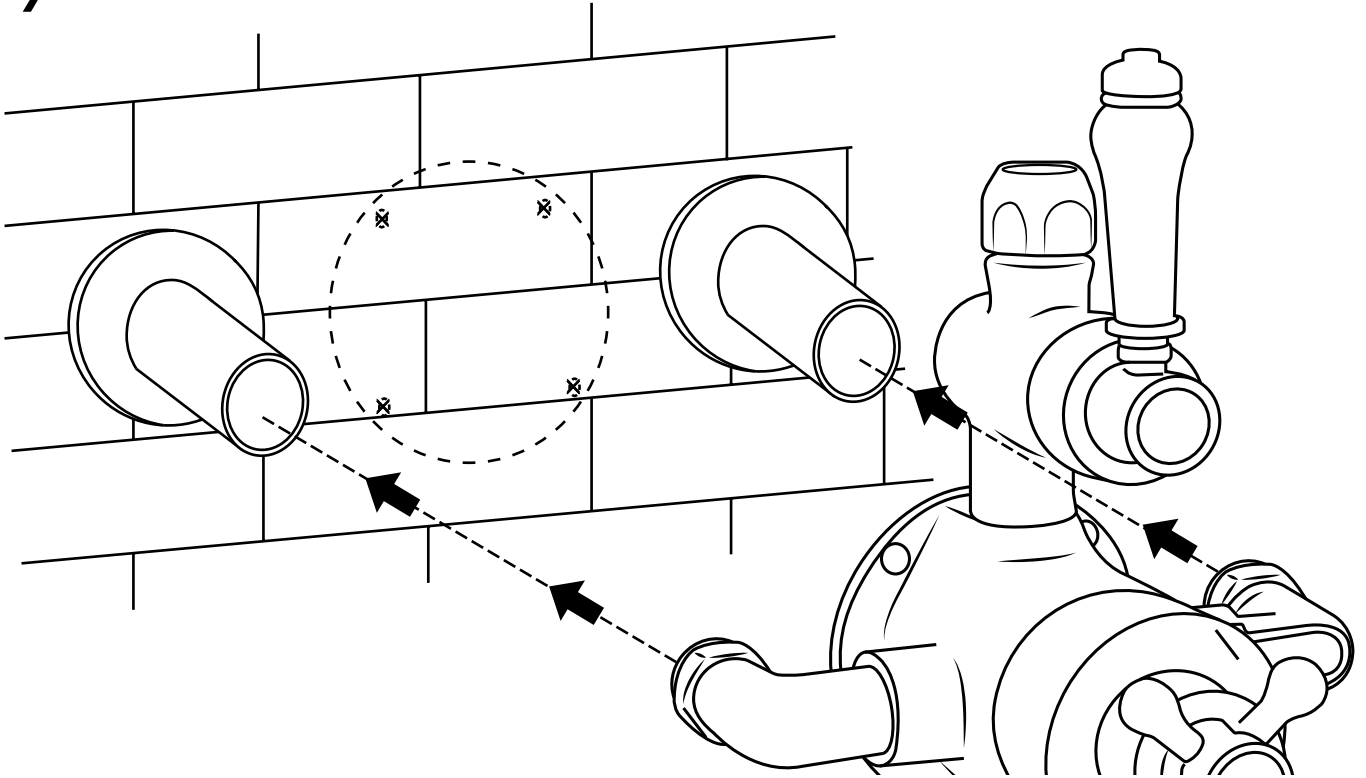
5



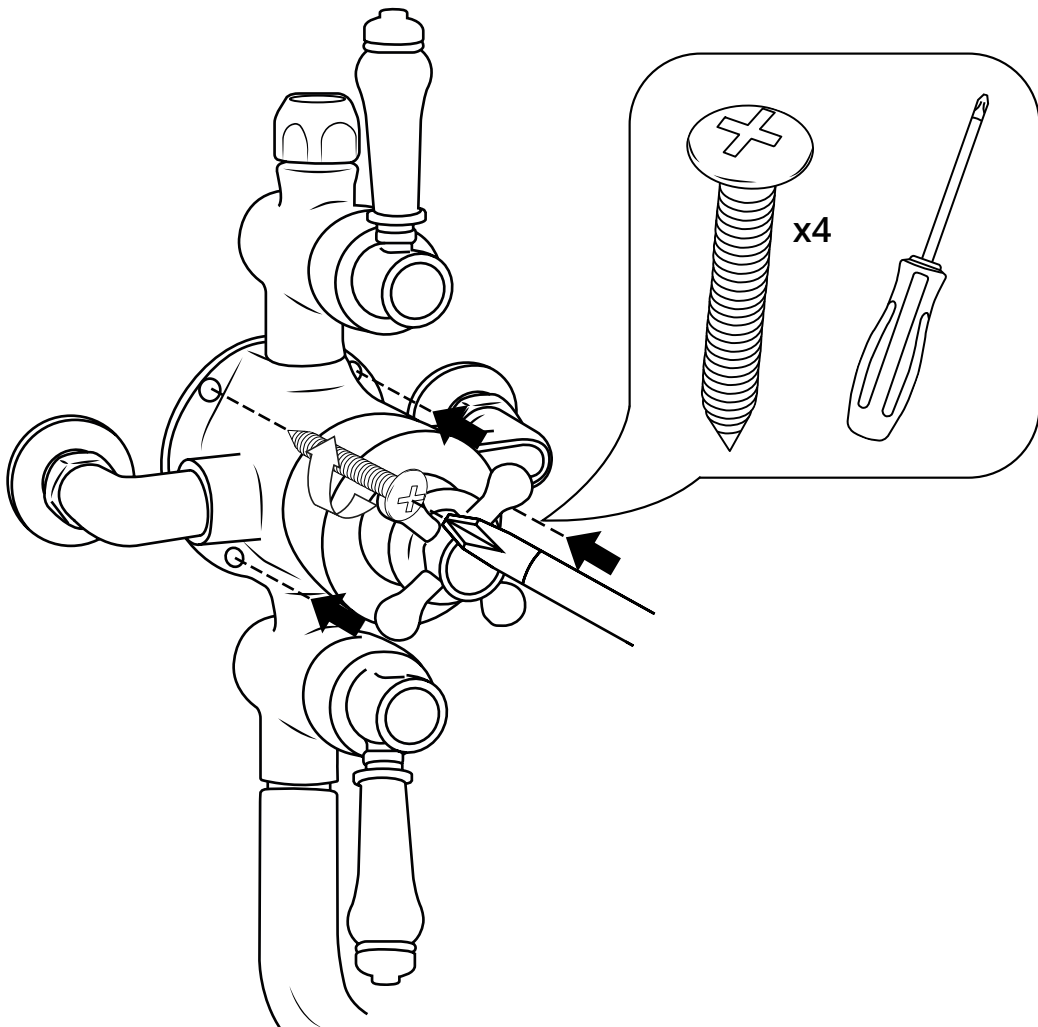
6



7

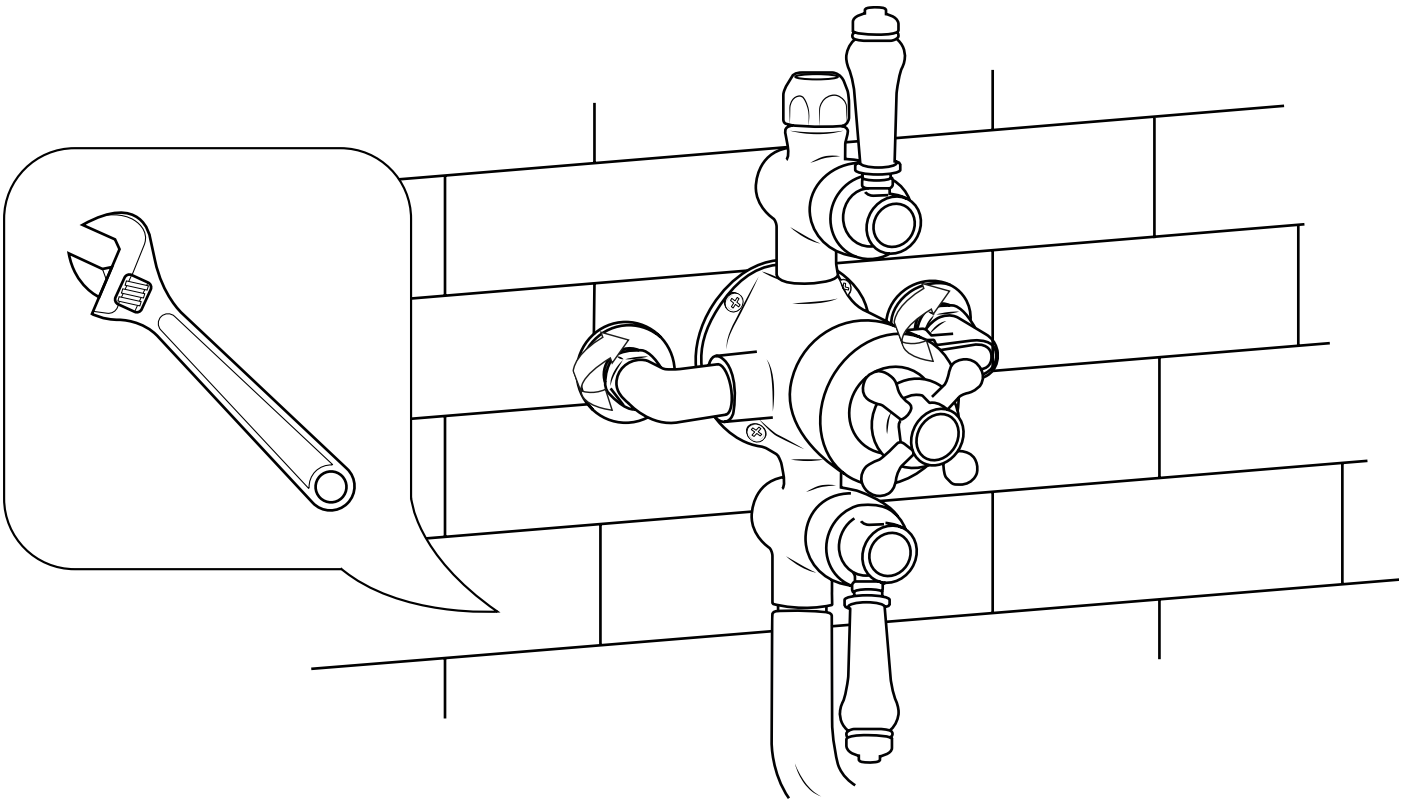


8



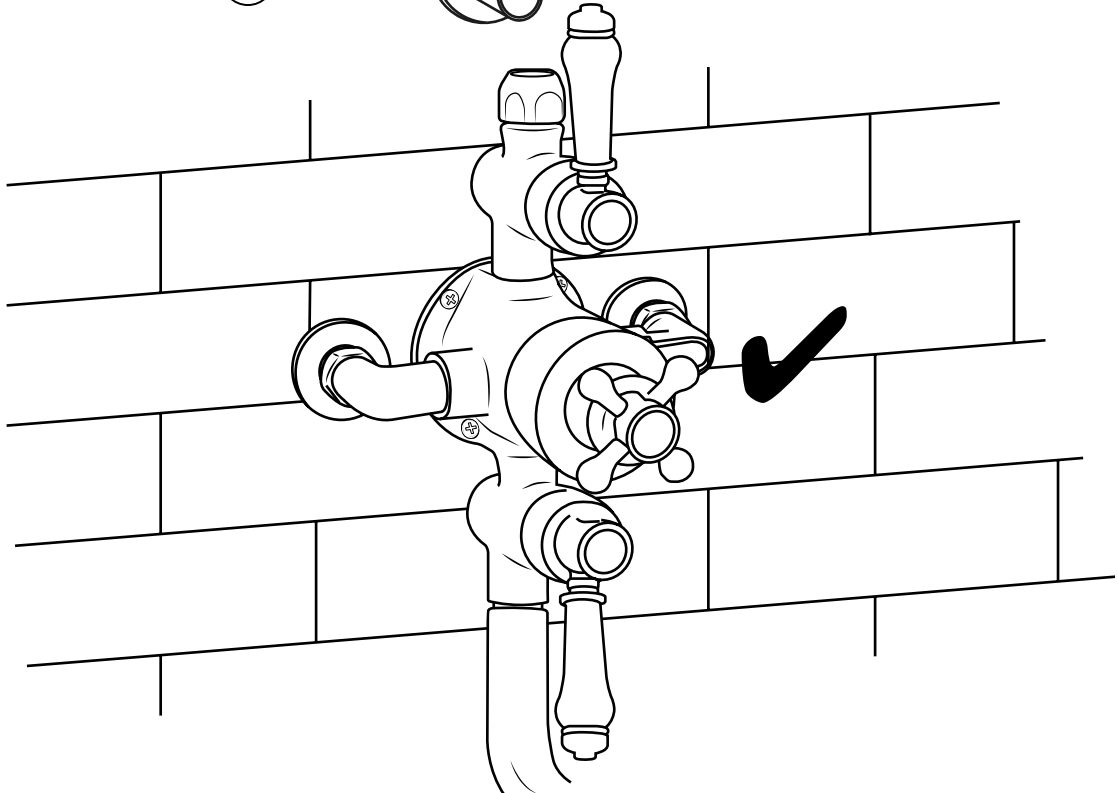


9



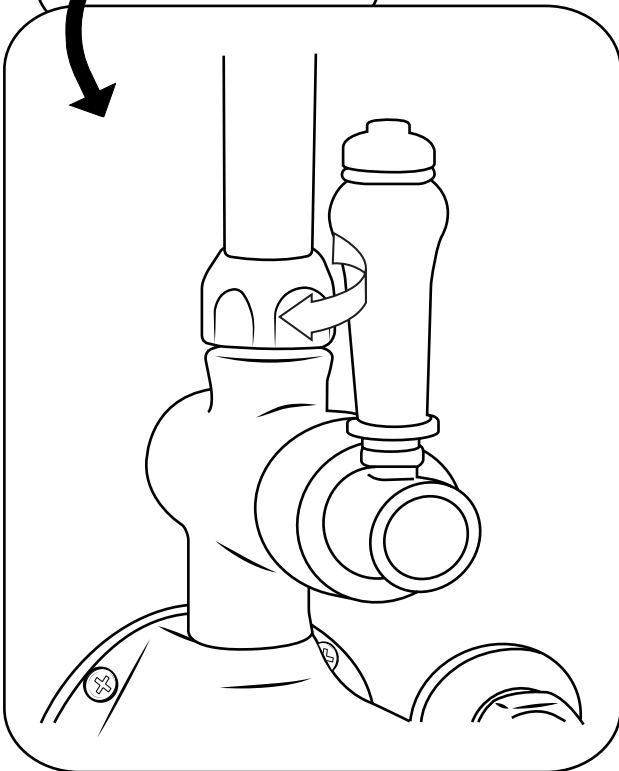
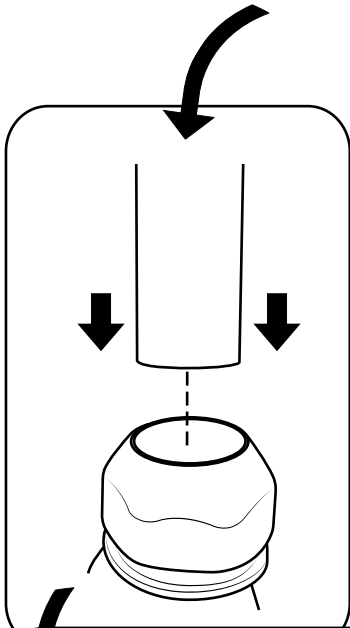
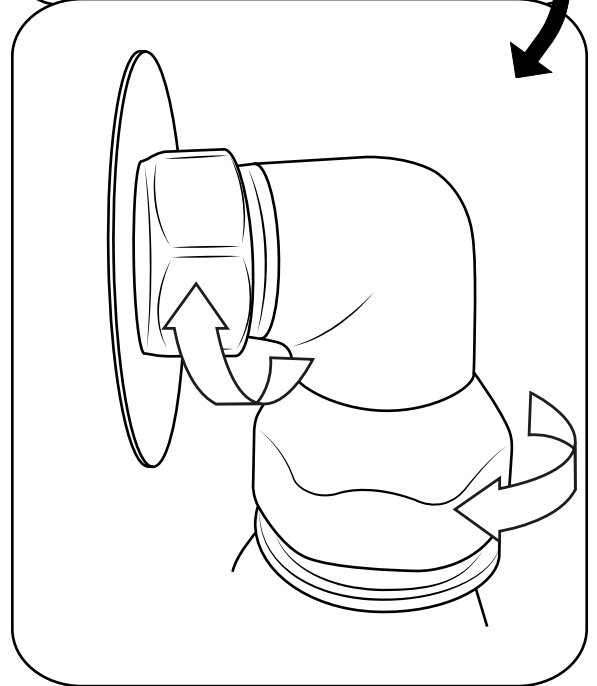
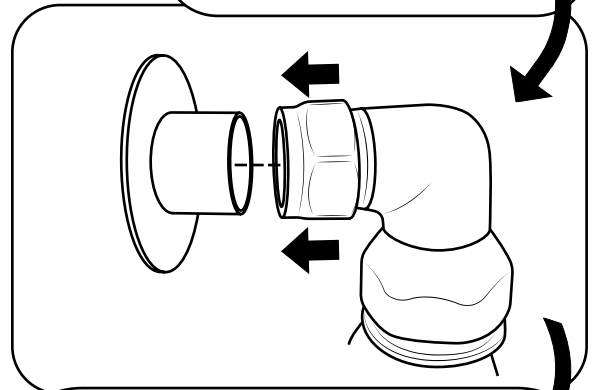
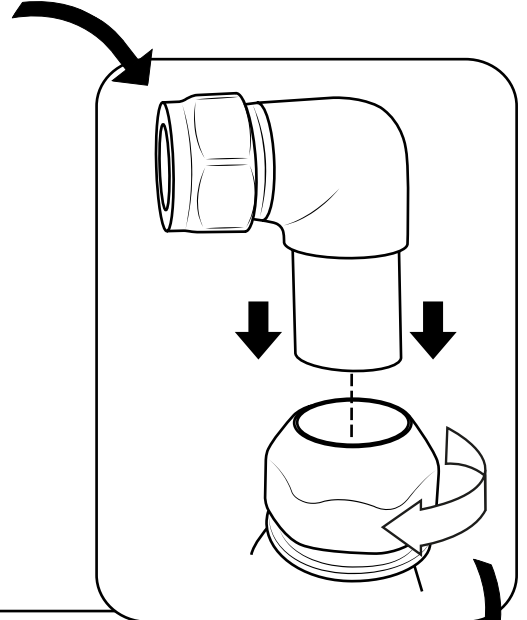
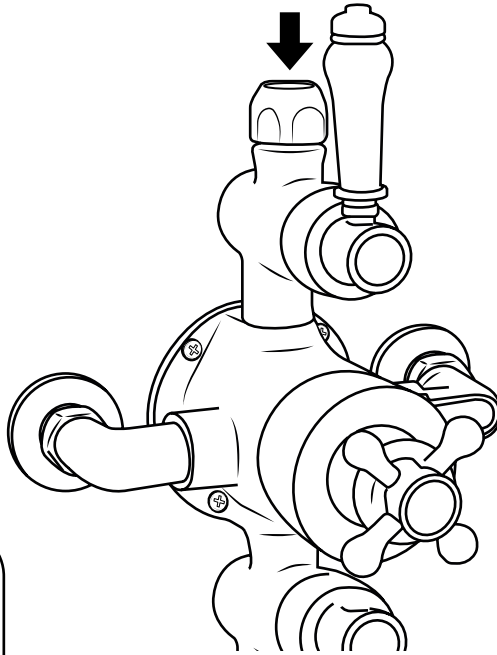
10

 Optional 

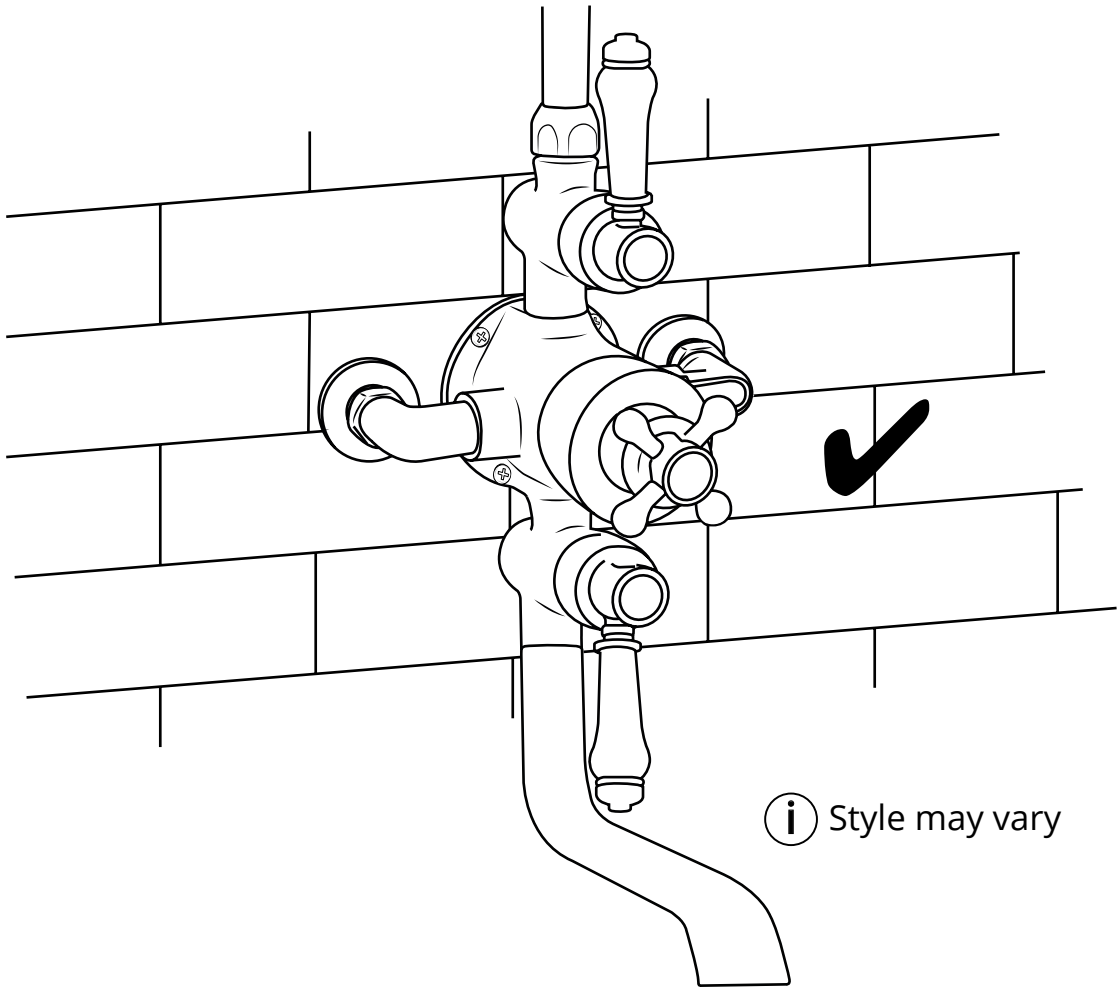


11

**i** Optional



12



*i* Style may vary